

PARISI

UNFA
TOILETS



RIMLESS BACK TO WALL TOILETS

PARISI

LINFA BTW CC TOILET SUITE

SIDE PROJECTION FLUSH

SET OUTS:

S PAN: 55-175MM

P PAN: 185MM

WELS 4 STAR

4.5 L PER FULL FLUSH

3 L PER HALF FLUSH

BOTTOM LEFT, BOTTOM RIGHT
& BACK INLET

GLOSS WHITE
VITREOUS CHINA:

PN760



PARISI

OPTIONAL EXTRA:

SWAY D2 SOFT CLOSE SEAT

SUITABLE FOR COMMERCIAL USE

COMPATIBLE WITH LINFA & ELLISSE

GLOSS WHITE:

PN5620



SIDE PROJECTION FLUSHING SYSTEM

Rimless flushing projects a jet of water rather than the traditional flushing mechanism where water pours down the rim. Through the powerful delivery of water maximum cleaning is achieved.



HYGIENIC RIMLESS DESIGN

There are no hard to reach areas with the new rimless design allowing easy cleaning with a single wipe.

PARISI

10 Year Guarantee (Including Sway D2 Seat)*
1 Year Guarantee on Seat and Cistern Parts*

Soft Close Seat System
Side Projection Flushing System

Hand Finished Vitreous China
Easy Clean Anti-Bacterial Protection



Linfa BTW CC Toilet Suite

*All guarantees are subject to terms and conditions and available at: robertson.co.nz/warranties



PARISI

LINFA WALL HUNG TOILET PAN

SIDE PROJECTION FLUSH

WELS 4 STAR:
4.5 L PER FULL FLUSH
3 L PER HALF FLUSH

GLOSS WHITE
VITREOUS CHINA:
PN780



PARISI

OPTIONAL EXTRA:

SWAY D2 SOFT CLOSE SEAT

SUITABLE FOR COMMERCIAL USE
COMPATIBLE WITH LINFA & ELLISSE
GLOSS WHITE:

PN5620



PARISI

LINFA BACK TO WALL TOILET PAN

SIDE PROJECTION FLUSH

SET OUTS:
S PAN: 55-115MM
P PAN: 185MM

WELS 4 STAR:
4.5 L PER FULL FLUSH
3 L PER HALF FLUSH

GLOSS WHITE
VITREOUS CHINA:
PN770



PARISI

OPTIONAL EXTRA:

SWAY D2 SOFT CLOSE SEAT

SUITABLE FOR COMMERCIAL USE
COMPATIBLE WITH LINFA & ELLISSE
GLOSS WHITE:

PN5620



PARISI

10 Year Guarantee (Including Sway D2 Seat)*

1 Year Guarantee on Seat*

Easy Clean Anti-Bacterial Protection

Hand Finished Vitreous China

Soft Close Seat System

Side Projection Flushing System

*All guarantees are subject to terms
and conditions and available at:
robertson.co.nz/warranties



PUSH PLATES

When using the pneumatic option and installing the inwall cistern into a 90mm cavity:

- The cistern can be reversed so the maintenance panel can be in a different room or closet.
- Maximum distance from cistern is 3000mm.
- Installer will need to fabricate the flush pipe if installed remotely.



ACCESSIBLE BUTTONS

The Accessible Twin Button Push Plate includes raised buttons extending 25mm for ease of use coupled with embossed domes for those with visual impairment.

PNEUMATIC

TWIN BUTTON

BRASS METAL PLATE / GLASS PLATE / ABS PLASTIC BUTTONS



CHROME:
PA241.02



BRUSHED NICKEL:
PA241.04



GUN METAL:
PA241.29



BLACK/BLACK GLASS:
PA244.13



BRUSHED BRASS:
PA241.07

MECHANICAL

TONDO

ABS PLASTIC PLATE/BUTTONS



CHROME:
PA221.02



BRUSHED NICKEL:
PA221.04



GUN METAL:
PA221.29



MATT BLACK:
PA221.13



GLOSS WHITE:
PA221.10



BRUSHED BRASS:
PA221.07

BLADE

ABS PLASTIC PLATE/BUTTONS



CHROME:
PA231.02



BRUSHED NICKEL:
PA231.04



GUN METAL:
PA231.29



MATT BLACK:
PA231.13



GLOSS WHITE:
PA231.10



BRUSHED BRASS:
PA231.07

CABLE

TWIN BUTTON

BRASS METAL PLATE / ABS PLASTIC BUTTONS COMPATIBLE WITH PA136/PA141



CHROME:
PA251.02



BRUSHED NICKEL:
PA251.04



GUN METAL:
PA251.29

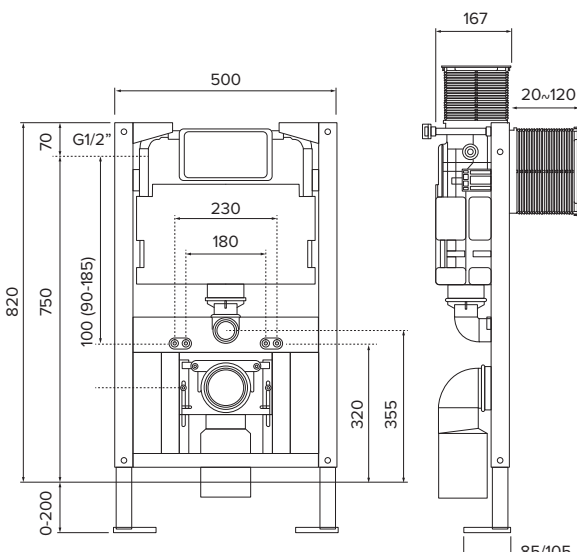


BRUSHED BRASS:
PA251.07

INWALL CISTERNS

FULL FRAME LOW LEVEL CABLE INWALL CISTERN

FRONT OR TOP FLUSH
FOR WALL HUNG PANS
REQUIRES PUSH PLATE
WELS 4 STAR
CODE:
PA141



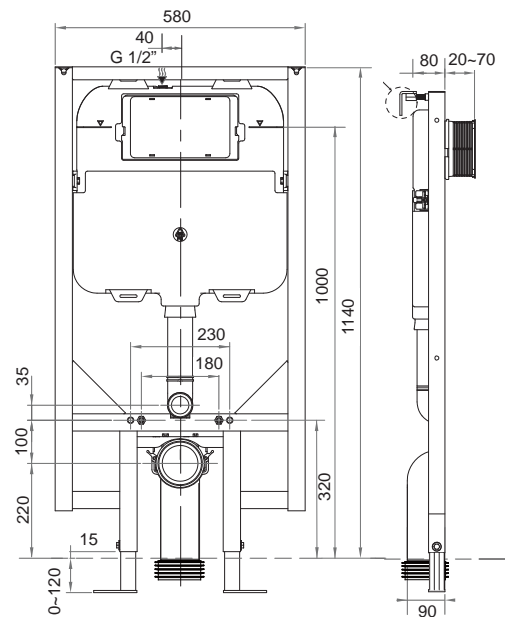
FULL FRAME MECHANICAL 90MM INWALL CISTERN

FRONT FLUSH
FOR WALL HUNG PANS
REQUIRES PUSH PLATE
WELS 4 STAR
CODE:
PA120



FULL FRAME PNEUMATIC 90MM INWALL CISTERN

FRONT FLUSH
FOR WALL HUNG PANS
REQUIRES PUSH PLATE
WELS 4 STAR
CODE:
PA121



LOW LEVEL INWALL CISTERN

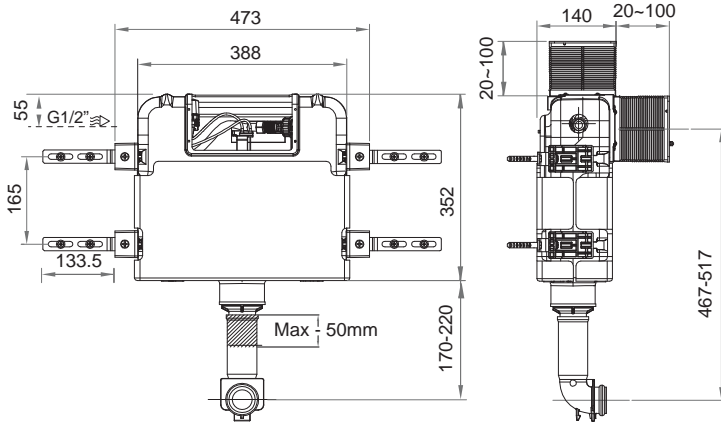
The new "low level" inwall cistern is not as high as standard inwall cisterns. The benefit being they can fit in a smaller space like under a window. They are also cable operated with top or front flush options.

FEATURES

- Weight tested to 400kg
- Easily maintained with all maintenance is through the front panel with no special access panel required unless you are isolating the push panel (Pneumatic)
- Parts easily replaced and available
- Pneumatic, mechanical or cable operation
- Multiple design and colour options for push panels
- Remote installation with up to 3m for Pneumatic push panels
- WELS 4 star rating 4.5/3L 3.3L average flush
- Made from high density polyethylene
- Wall fixing kit included
- Multiple fixation points for the installer
- All fixations and pipework supplied to install to the soil pipe

**LOW LEVEL
CABLE INWALL CISTERN**

FRONT OR TOP FLUSH
NO FRAME
FOR BTW PANS
REQUIRES PUSH PLATE
WELS 4 STAR
CODE:
PA136



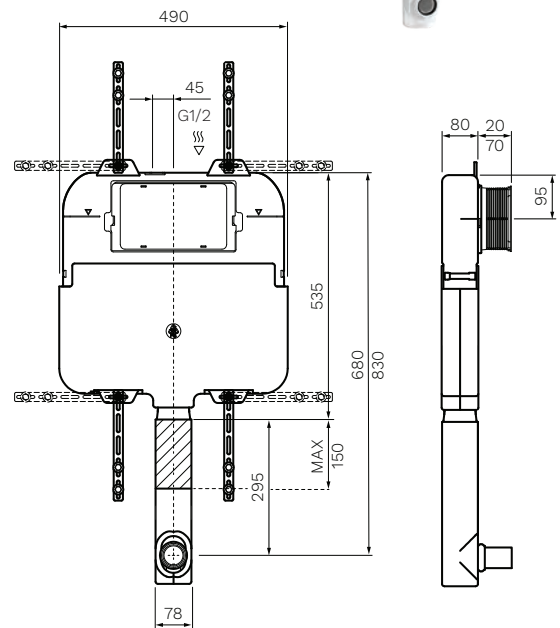
**MECHANICAL 90MM
INWALL CISTERN**

FRONT FLUSH
NO FRAME
FOR BTW PANS
REQUIRES PUSH PLATE
WELS 4 STAR
CODE:
PA110










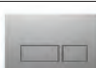


**PNEUMATIC 90MM
INWALL CISTERN**

FRONT FLUSH
NO FRAME
FOR BTW PANS
REQUIRES PUSH PLATE
WELS 4 STAR
CODE:
PA111



**PUSH PLATE
COMPATIBILITY
TABLE**

						
	CABLE PA141	MECHANICAL PA120	PNEUMATIC PA121	CABLE PA136	MECHANICAL PA110	PNEUMATIC PA111
 CABLE TWIN BUTTON	✓			✓		
 PNEUMATIC TWIN BUTTON			✓			✓
 TONDO		✓			✓	
 BLADE		✓			✓	



E-BIDET SMART TOILETS



PARISI / ELEMENTI

**LINFA FRESCA
E-BIDET BACK TO WALL PAN**

NEW

SET OUTS:

S PAN: 55-115MM

P PAN: 185MM

WELS 4 STAR:

4.5 L PER FULL FLUSH

3 L PER HALF FLUSH

INCLUDES T JUNCTION

& WATER INLET HOSE

ANGLE VALVE NOT INCLUDED

GLOSS WHITE

VITREOUS CHINA:

PN770-BD



PARISI / ELEMENTI

**LINFA FRESCA
E-BIDET WALL HUNG PAN**

NEW

WELS 4 STAR:

4.5 L PER FULL FLUSH

3 L PER HALF FLUSH

INCLUDES T JUNCTION

& WATER INLET HOSE

ANGLE VALVE NOT INCLUDED

GLOSS WHITE

VITREOUS CHINA:

PN780-BD



PARISI

10 Year Guarantee*

Hand Finished Vitreous China

Side Projection Flushing System

ELEMENTI®

2 Year Guarantee on Seat*

1 Year Guarantee on Electrical Components*

Adjustable Water Temperature & Volume

Adjustable Heated Seat

Soft Close Anti Bacterial Seat

Night Light

Wash without power supply

Easy Fix

Twin Nozzles